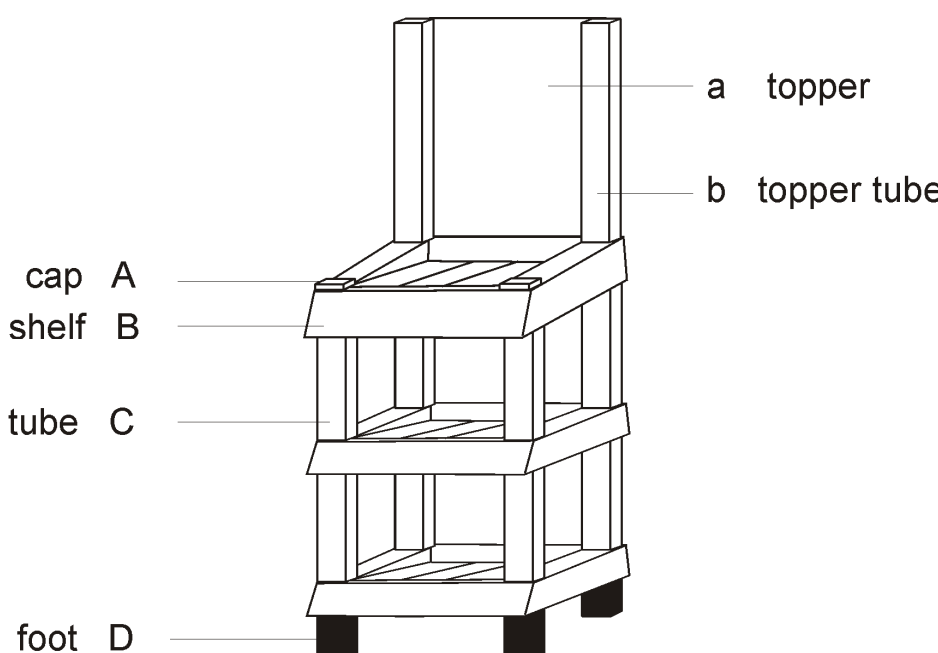


Article description Counter display C36	Art. no. 415036
	variable counter display for individual presentation
	Dimensions H x W x D (assembled) 900 x 385 x 385 mm Packed in a cardboard 590 x 390 x 300 mm
	Special types: Colours and lengths of tubes on request

Article description

Description	Quantity	Dimensions in mm	Colour	Print
A Cap	4		white	
B Shelf A 36 perforated and slanted floor space	3	Ext. dim. 385 x 385/ 65 Int. dim. 290 x 340/ 55 Max. carrying load by a uniform surface distribution: 40 kg	white	
C Square tube without groove	8	40 x 40 x 200 (distance 135)	white	
D Square foot ¹⁾	4	40 x 40 x 76 (distance 55)	black	

¹⁾ If desired available without feet

Additional equipment

a Topper made of card, with clips visible advertising space	1	293 x 385 283 x 385	white	
b Square topper tube with groove and pins (185 mm) to keep the distance	2	40 x 40 x 420	white	
Compartment divider (not shown) for shelf A36		340 x 50	transparent	

© This drawing is the intellectual property of Lockweiler Plastic Werke GmbH and may not be reproduced without permission, changed or made accessible to third parties.