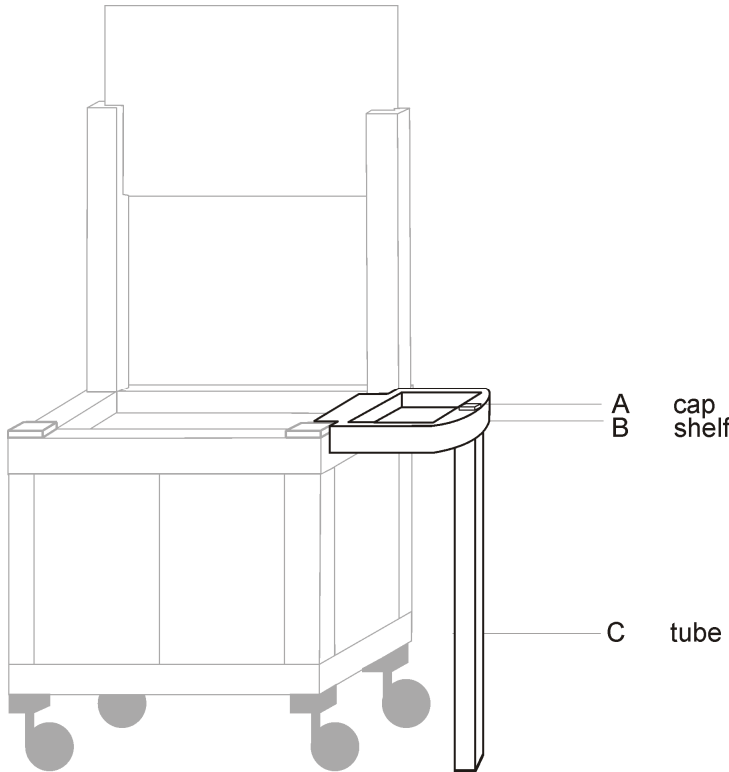


<p>Article description Attachment F01</p>	<p>N° art.</p>
	<p>Attachment for: promotional counter F11, F12 and F13</p>
	<p>Dimensions H x W x D 920 x 385 x 385 mm</p> <p>Packed in the cardboard of the promotional counter</p>
	<p>Special types: Colours on request</p>

Article description

Description	Quantity	Dimensions in mm	Colour	Print
A Cap	1		white	
B Shelf	1	Dim. ext. 385 x 385 / 60 Dim. int. 380 x 285 / 20 Max. carrying load by a uniform surface distribution: 30 kg	white	
C Square tube	1	40 x 40 x 885	white	

© This drawing is the intellectual property of Lockweiler Plastic Werke GmbH and may not be reproduced without permission, changed or made accessible to third parties.